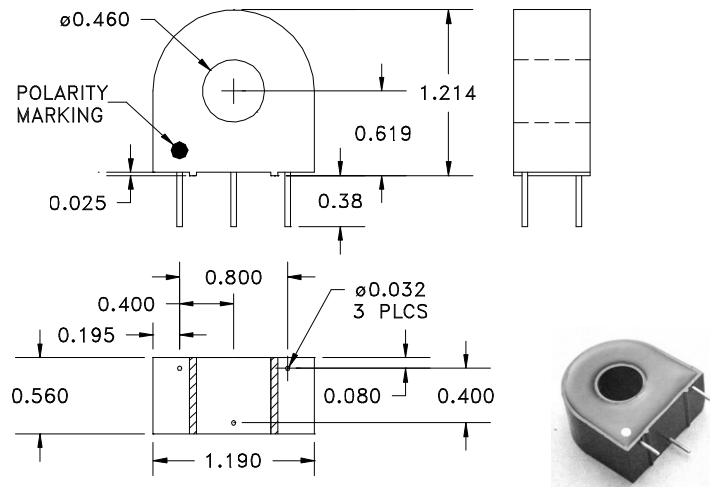




120 A Current Transformer Model S54

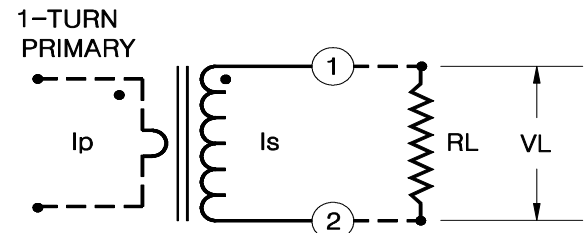
Electrical Specifications:

Turns Ratio: 1000:1 Nominal.
 Rated current: 120A continuous. See table below for intermittent saturation limited values.
 Maximum output Voltage: 75 Vrms at 60Hz.
 Operating Frequency Range: 20 Hz. - 5 kHz.
 SRF: 5 kHz. MIN.
 DC Resistance at 20°C: 45 ohms \pm 10%
 Series inductance at 1.0V, 50Hz.: 6.0 H MIN.
 Dielectric Withstanding Voltage (DWV): 4 kV



Other Specifications:

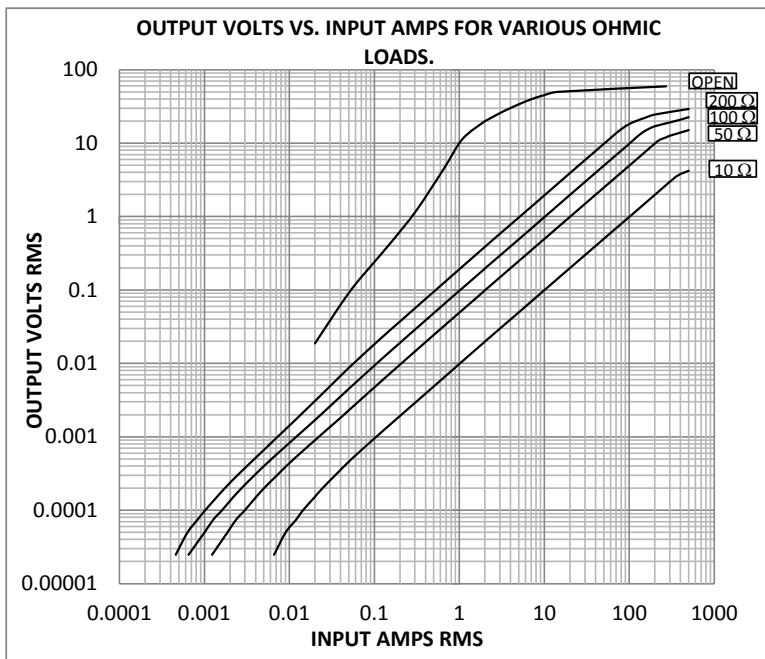
Flammability: Conforms to UL94-V0
 Pins: Tin plated round copper, 0.032" dia (#20 AWG)
 Storage Temp. Range: -55°C- +130°C
 Line current for 30°C temperature rise: 120 A
 Net wt.: 34 gm \pm 10%
 All dimensions are in inches/mm.
 Tolerance: .xx \pm 0.03 / 0.75 .xxx \pm .010 / 0.25
 Marking: GMS54 YY-WW (datecode)



I_p : Primary Current
 I_s : Secondary current
 V_L : Output voltage across load R_L
 R_L : Terminating Resistor
 In the linear range,
 $I_p = V_L \times N / R_L$
 Where N is the nominal ratio of the transformer

Notes:

- 1: The terminating resistor and the one-turn primary are not supplied.
- 2: Dot indicates pin with positive polarity when positive current flows into face with dot on it.
- 3: For Right pin polarity, add -R to P/N. ie. S54-R
- 4: Custom marking available at no extra charge.
- 5: Other ratios available upon request.
- 6: Other pin lengths or hook up wire exits available



Linear Range		
Load R_L OHM	Volts per Amp (V/A)	Current Range for $\pm 1\%$ linearity
10	0.01	1 A - 360 A
50	0.05	1 A - 210 A
100	0.1	1 A - 140 A
200	0.2	1 A - 80 A

Values are for 60 Hz. Reduce top end of current range by 20% at 50 Hz.

General Magnetics Corporation 7 Sagewood Irvine CA 92602

Tel: 1-800-604-0267 Fax: 1-800-604-0297 email: info@generalmagneticscorp.com